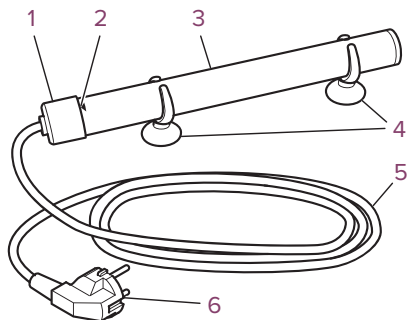


# TITANIUM HEATER

INSTRUCTION MANUAL

# OVERVIEW



- 1 Cap
- 2 Marking, minimum immersion depth (▲)
- 3 Heater/titanium tube
- 4 Holder
- 5 Cable
- 6 Power plug

Fig. 1: Overview

# TECHNICAL DETAIL

Voltage	230 V/50 Hz
Power consumption	150W to 650W (depending on the version)
Cable	Cable HO3VV-F 3G 0.75mm <sup>2</sup>
Cable length	1.5m
Heating element length	150W to 350W – 250mm 650W – 350mm
Heating element diameter	25mm
Protection class	IP 68
Maximum water immersion depth	1.20m
Recommended heater power based on the volume of water at a room temperature of 20°C	150W suitable for 75-150L 250W suitable for 150-250L 350W suitable for 250-350L 650W suitable for 350-650L

# THANK YOU

Thank you for purchasing our titanium heater. The titanium heater is designed to be used in warm water aquariums and terrariums, it is unbreakable and resistant to seawater. It requires a separate temperature controller. We recommend the D-D Temperature Controller TC125.

## Symbols on the heating element



CE mark: Confirmation of complete compliance with basic safety requirements specified in the appropriate EC directives



Designed exclusively for use in areas as specified in DIN 30600



UKCA mark: Confirmation of complete compliance with basic safety requirements specified in the appropriate UK directives

## Symbols in this operating manual

Important instructions for your safety and prevention of damage to the heating element are specially indicated. Strictly comply with these instructions:



**WARNING:** Warns of health hazards and indicates possible injury hazards.



**ATTENTION:** Warns of possible hazards for the heating element or other objects.

## Operating manual

Read this instruction manual before using the titanium heater. Keep this manual somewhere safe and accessible. If you make the heating element available to a third party, provide this operating manual along with the heating element. Failure to comply with the instructions in this manual can result in personal injury and material damage. We assume no liability whatsoever for personal injury and material damage due to failure to comply with the instructions in this instruction manual.

# SAFETY INSTRUCTIONS

## WARNING

The heating element is operated with electric power and generates high operating temperatures that can cause burn injuries and material damage if there is contact with the heating element.

- Prior to performing any work, disconnect the heating element from the power supply. To do this, unplug the power plug (Fig. 1/6) from the socket and allow the heating element to cool before reaching into the aquarium or terrarium.
- Allow the heating element to cool to ambient temperature and dry before you touch it.
- Only grasp the heating element on the cap (Fig. 1/1).
- Do not leave the heating element unattended if children or persons who cannot fully understand the hazards are in the vicinity.
- The heating element is not designed to be used by persons (including children) with limited physical, sensory, or mental capacities, or lack of experience and/or knowledge, unless such persons are supervised by a person responsible for their safety, or have received instructions on how to operate the device from the person responsible for their safety.

## NOTE:


A temperature controller must be used to prevent uncontrolled heating of the heating element (e.g. the D-D Temperature Controller TC125).

## PREPARING

Unpack the heater and ensure that the contents are complete and undamaged. If you notice any transport damage, immediately contact the dealer from whom you purchased the heating element.


# ATTACHING & CONNECTING THE HEATING ELEMENT

It is possible to attach the heating element in any desired orientation below the surface of the water, using the supplied holder (Fig. 1/4).


 **ATTENTION:** The heating element is operated with electrical current. The connections of the heating element are not designed for outdoor use.

- Only position the plug on the heating element in enclosed, dry areas.
- Protect the power plug (Fig. 1/6) from moisture.
- Only operate the heating element in conjunction with a ground fault circuit interrupter (RCD) with maximum 30 mA.

1. Ensure that the power of the heating element is appropriate for the volume of water that will be heated (Page 2).
2. Slide the supplied holder (Fig. 1/4) onto the heating element.


 **ATTENTION:** The heating element is fastened using suction cups that do not adhere to uneven, dirty surfaces. Surfaces can be damaged if the heating element falls.

- Select a suitable, smooth surface for fastening the heating element.
- Clean the surface so that it is clean and free of grease.

 **ATTENTION:** The element can be damaged if it is not completely surrounded by water.

- Pay attention to the minimum immersion depth (Fig. 1/2), when installing vertically, this is the minimum point to which the heating element must be immersed in the water.
- For horizontal installation ensure that the heating element is always immersed in flowing liquid.

3. Press the heating element with the holders into the desired position on the surface.

 **ATTENTION:** The wrong voltage can damage the heating element.

- Only connect the heating element if the voltage of your socket is 230V alternating current.

4. Plug the power plug of the heating element into the socket or into a suitable temperature controller (e.g the D-D Temperature Controller TC125).

# REMOVING THE HEATING ELEMENT

1. Unplug the power plug of the heating element (Fig. 1/6) from the socket or from the temperature controller.
2. Allow the heating element (fig. 1/3) to cool completely; ensure that it has cooled before touching the heating element.

## **WARNING IF USED TO HEAT CHEMICALS IN A NON-AQUARIUM APPLICATION:**

- Chemicals can be harmful and can cause injuries if there is skin contact.
  - Wear personal protective equipment when handling hazardous chemicals.
- Comply with the instructions specified on the appropriate safety data sheets.

3. Remove the heating element by detaching the suction cups from the surface.
4. Place the heating element on a non-flammable, moisture-resistant substrate.

# MAINTENANCE INSTRUCTIONS

- Regularly remove deposits on the heating element with a suitable brush so there is no encrustation and damage on the heating element.
- If the cable is damaged (Fig. 1/5) replace the entire heating element. The power cable cannot be replaced separately.

# DISPOSAL



When the device has reached the end of its service life, dispose of the heating element and all accessories as specified by applicable environmental regulations. Electrical waste should not be disposed of together with household waste.

# WARRANTY

We provide a guarantee of 24 months from the date of purchase (proof of purchase receipt required) for the purchased device. Within the guarantee period we will correct defects of the device or accessories\* at no charge, that are due to material or manufacturing faults, through repair or replacement at our discretion. Warranty exchanges do not extend the guarantee period, nor do they substantiate a claim for a new guarantee! The purchase receipt is verification of the guarantee. Without this verification a no-charge replacement or no-charge repair cannot be provided.

\*Defects in consumable accessories or parts subject to wear, as well as cleaning, maintenance or replacement of wear parts do not fall under the guarantee, and thus are chargeable services!

# SPARE PARTS & ACCESSORIES

Spare part/accessory	Article no.
Holder/Sucker Pack (Fig. 1/4) 25 mm x 2	DDH001
D-D Temperature Controller 1600 W, +16 to +40 °C	TC125



D-D The Aquarium Solution Ltd

Email: [info@theaquariumsolution.com](mailto:info@theaquariumsolution.com)

[www.theaquariumsolution.com](http://www.theaquariumsolution.com)



*FOLLOW US FOR INSPIRATION!*

 [fb.com/theaquariumsolution](https://fb.com/theaquariumsolution)  [TheAquariumSoln](https://TheAquariumSoln)

— [www.theaquariumsolution.com](http://www.theaquariumsolution.com) —