

Instruction manual  
**GIESEMANN**  
AQUARIUM LIGHTS AND PRODUCTS

**lynk**  
WIFI CONTROL



**GIESEMANN**  
*aquaristic*

Giesemann Aquaristic GmbH  
Bürdestr. 14 · D-41334 Nettetal  
Tel. +49 - 2157 / 81 29 90  
Fax +49 - 2157 / 81 29 99  
[www.giesemann.de](http://www.giesemann.de)  
[info@giesemann.de](mailto:info@giesemann.de)

## SCOPE OF DELIVERY & SAFETY INSTRUCTIONS



Dear customer, thank you very much for your confidence in the Giesemann quality products. Our experience in the field of aquaristics as well as in modern lighting technology guarantee the quality standard of our products.

Please read these operating instructions carefully to ensure optimum function and operational function and operational safety for years to come. Non-observance of the following points can be dangerous or even violate existing regulations.



All Giesemann products are equipped with the CE mark. This mark can usually be found on the type plate in the luminaire or on the external control box. on the external control box.



After unpacking, please check that your light is in perfect condition and that the scope of delivery is complete. and the scope of delivery for completeness. Damage must be reported immediately to your specialist dealer in order to warranty claims.



The luminaires / products may only be installed by authorized specialist personnel. They must not be operated if damage is evident, a mal-function occurs, or after falling, immersion in water or other defects.



The described products are designed exclusively for the control of lighting and auxiliary lighting of indoor aquariums.

The product must not be placed on the edge of the aquarium or in or installed in or behind panels or covers. It is imperative that the electrical control gear is protected from direct splash water and moisture.



Packaging materials must not be used for play. There is a danger of suffocation!



Never open the housing during operation. Danger to life!

## SCOPE OF DELIVERY & SAFETY INSTRUCTIONS



Do not attempt to open a lynk box, as damaging the inner will void the warranty. Only operate the corresponding corresponding Giesemann lynk products with this box.



When cleaning the box, make sure that no moisture gets inside the box. gets into the interior of the box. Make sure that in any case there is always a sufficient sufficient heat exchange can take place. Improper use will void any warranty claims.



To keep the housing clean, regular cleaning with a cloth is sufficient. cloth. Please note that salt deposits must always be removed immediately, otherwise even high quality surfaces will be damaged over time.

Failure to perform maintenance will void the warranty. Disposal: When the end of use has been reached, render the product by disconnecting the plug from the socket and cutting the cable. disconnecting the cable. Dispose of the product in accordance with the applicable environmental regulations in your country. Electrical waste must



not be disposed of with household waste. Contact your local authority or dealer for advice on recycling, contact your local authority or your dealer.

### CE Declaration of Conformity

#### The company

Giesemann Lichttechnik & Aquaristik GmbH

Bürdestraße 14 – 41334 Nettetal – Germany

declare under our sole responsibility that the products:

#### **AURORA V8**

to which this declaration relates are in conformity with the technical requirements of the following European Community directives & standards or other normative documents

**- 98/37/EC / - EEC 89/336 - EEC 73/23 AND RELATED AMENDMENTS AND ADDITIONS (B.T.)**

**The following technical standards and specifications have been observed:**

**Safety: EN 60335-1 / EN 60335-2- 55 AND RELATED AMENDMENTS / EN 292-1-2 / CEI 61-50**

**EMC directive: EN 50081-1 / EN 50081-2 and the following amendments / EN 5008**

16.05.2021, Nettetal - Germany

## INSTALLATION


**1** The lynk WIFI Control Box is delivered with a power supply unit, which you simply connect it to the lynk box in 24V IN. The device is now ready and shows you by a green LED.


**2 Connecting the LED lights**  
The lynk WIFI Control Box has 4 connectors which are marked with CH (Channel) and allows to control 4 LED lights\*.

\*As of February 2022 it is possible to connect the PULZAR G3 tropic or PULZAR G3 marine via WIFI with the lynk box.

### **The PULZAR G3 tropic & marine has 3 LED channels.**

These channels are already biologically optimized in terms of light colors/spectra and can be and can be controlled in intensity.

 **Power supply of the PULZAR G3 / LED lights**  
As illustrated on page five, plug the ends of the system cables of the power supplies into the lynk WIFI Box LED DRIVER IN. The lynk box loops the power supply of your PULZAR G3 / LED luminaires through.

 **Connecting a PULZAR G3 / LED luminaire**  
If you have a PULZAR / LED luminaire, connect the outgoing cable of the luminaire to channel 1-3 channel with the outgoing cable of the light. You can now use this in the lynk app to control the intensity of the individual 3 channels via three faders.

### **Connecting two PULZAR G3 / LED lights**

If you have two PULZAR / LED lights, use the outgoing cable of the light to connect the second channel 1-3 with the outgoing cable of the luminaire. control the intensity of the individual 3 channels in the lynk app via three faders and both LED lights on Channel 1-3 react in the same way.

### **Connecting three PULZAR G3 / LED lights**

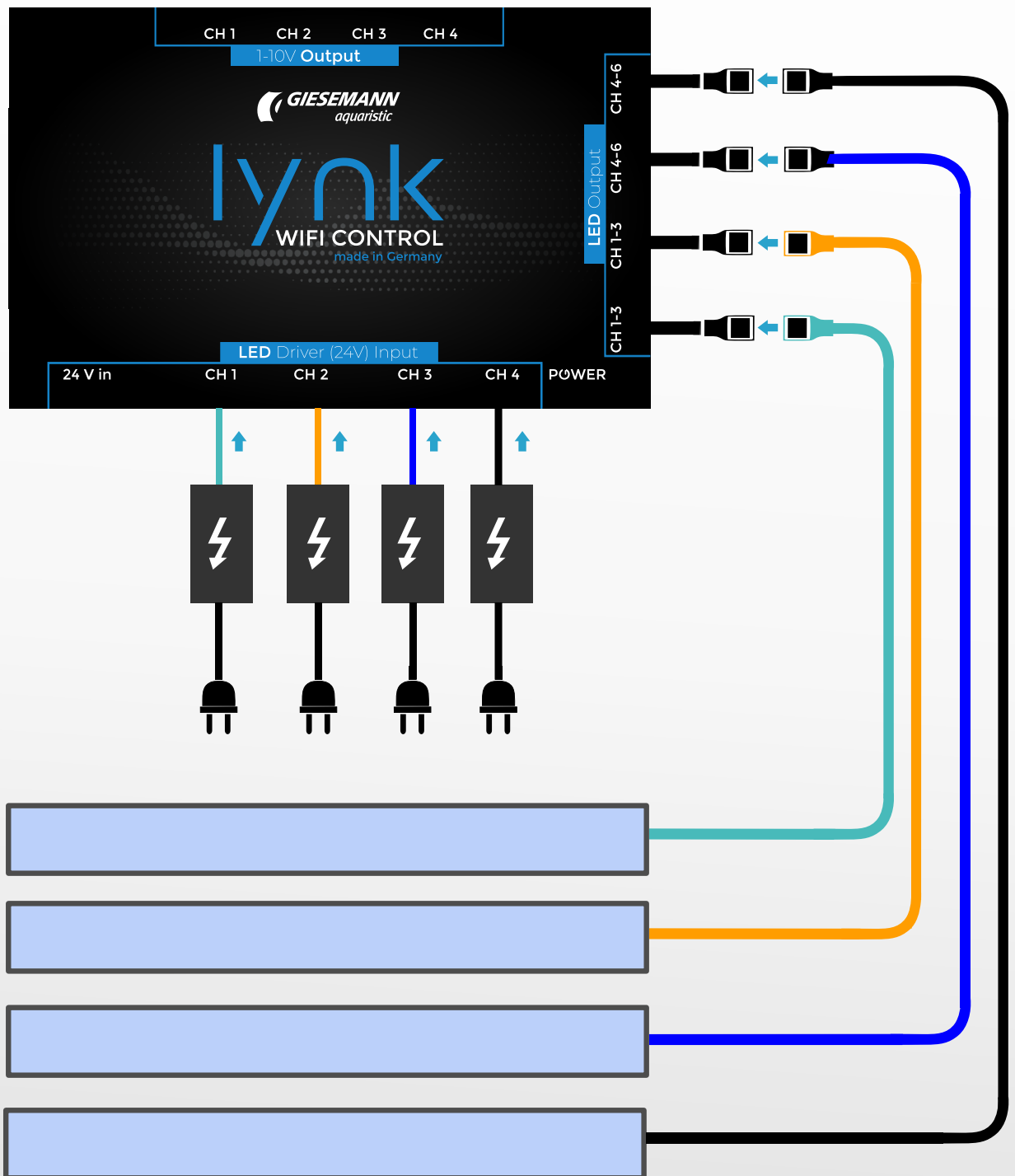
If you have three PULZAR / LED lights, connect the outgoing cable of the light to the channel the outgoing cable of the luminaire to channel 4-6. This means that you can now control control the intensity of the individual 3 channels in the lynk app via three faders.

### **Connecting four PULZAR G3 / LED lights**

If you have two PULZAR / LED luminaires, use the outgoing cable of the luminaire to connect the second the second channel 4-6 with the outgoing cable of the luminaire. You can now use this control the intensity of the individual 3 channels in the lynk app via three faders and both LED lights on CH 4-6 react in the same way.

## INSTALLATION / CONNECTION

2



### 24V IN

The power supply of the lynk WIFI Control Box is connected here.

### LED DRIVER INPUT

This is where the power supply units of the PULZAR G3 are connected.

### LED OUTPUT

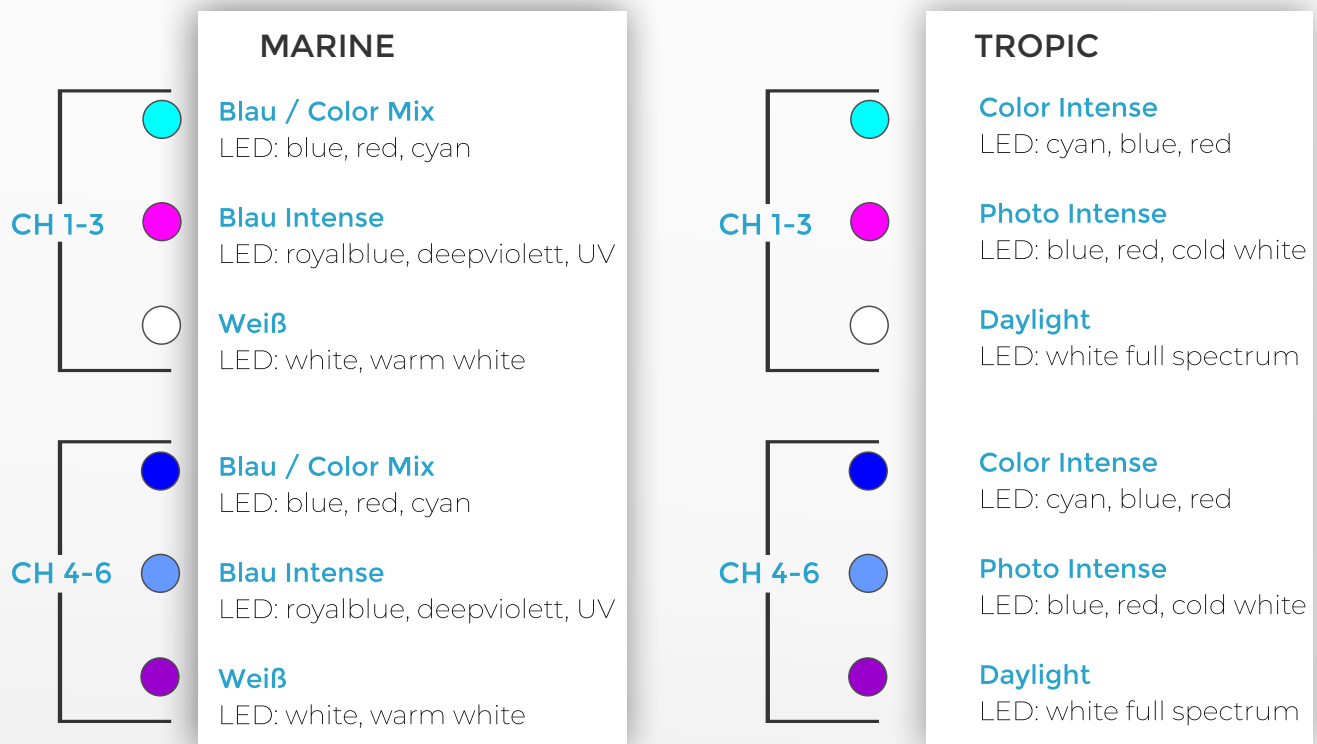
This is where the system cables of the PULZAR G3 are connected.

### 1-10V OUTPUT

Here, additional devices or luminaires such as the RAZOR or STELLAR can be connected and conveniently dimmed via the lynk app.

## INSTALLATION / CONNECTION

### 3 Channel assignment Lync WIFI Control when using of PULZAR G3 (in professional mode)



### i Lync WIFI Controller is a universally applicable lighting computer for controlling the PULZAR G-3 and other suitable Giesemann system lights.

The lync WIFI controller can control tropic luminaires, marine luminaires or a combination of both. For this reason the color dots in the app are (in the area are assigned to different color groups according to the table above.

This gives the flexible possibility to e.g. also combine a PULZAR G3 tropic with a PULZAR G3 marine system.

All Giesemann system luminaires already have the optimally adjusted spectrum without the need for color mixing. If only the course of the day, i.e. the daily start and dimming times should be changed, as well as the intensity of your light system, the Easy Mode in the app is sufficient. To do this, simply move the slider in the app to the left, outer area and set the desired daily curve, i.e. for sunrise and sunset. Set sunrise and sunset